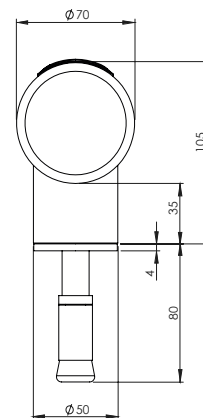
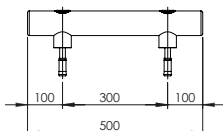
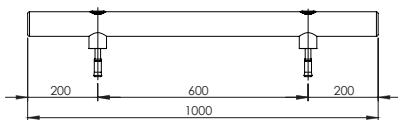
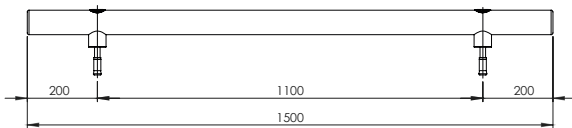
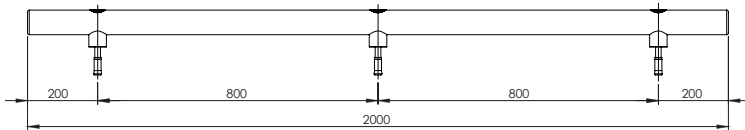
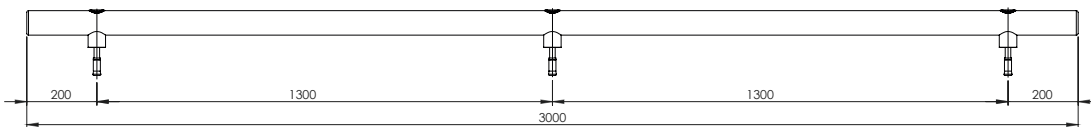
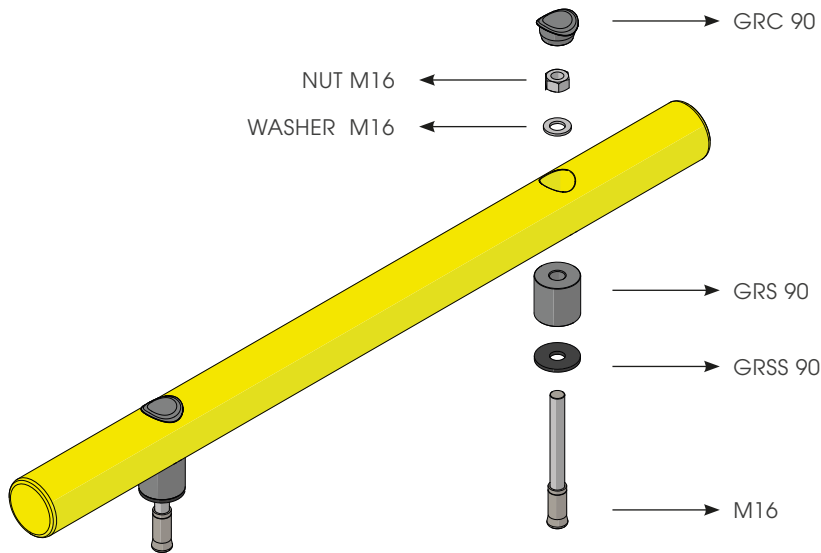


ROD FLOOR 70

BARRIERA SINGOLA
SINGLE-RAIL BARRIER



RESISTANT TO
LOW TEMPERATURES



ROD FLOOR 70

ISTRUZIONI DI INSTALLAZIONE
ASSEMBLY INSTRUCTIONS

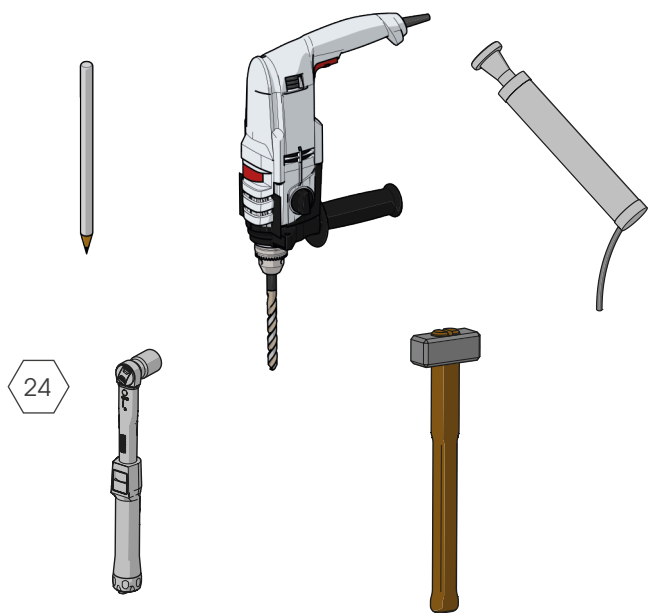


RESISTANT TO
LOW TEMPERATURES

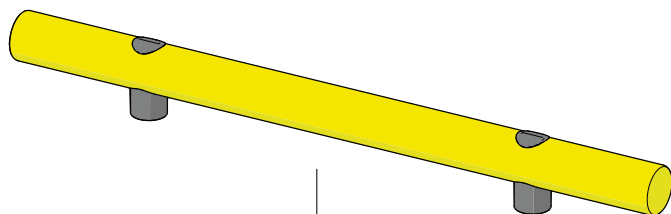
M16 GALVANIZED STEEL

WITH EXPANSION SCREW

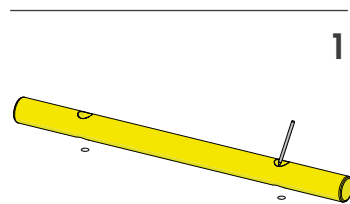
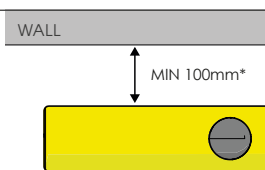
Ø16 mm



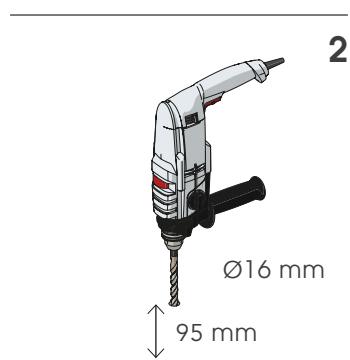
24



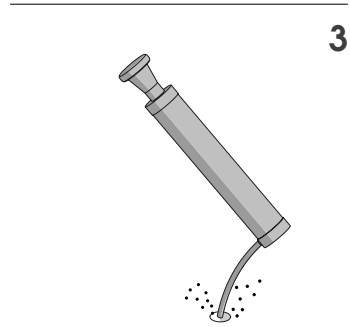
WARNING
The distance of installation depends on speed and weight of vehicle



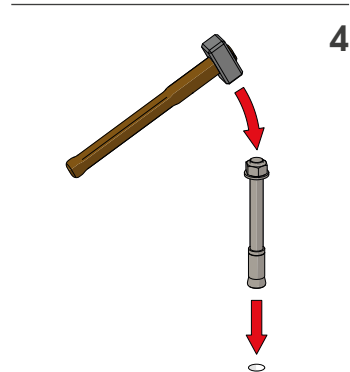
1



2



3



4

ROD FLOOR 70

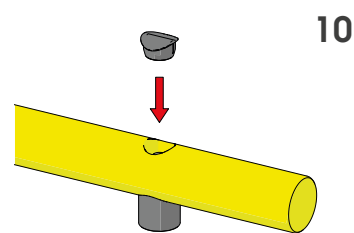
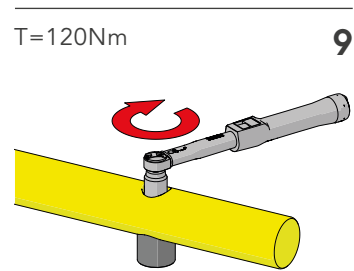
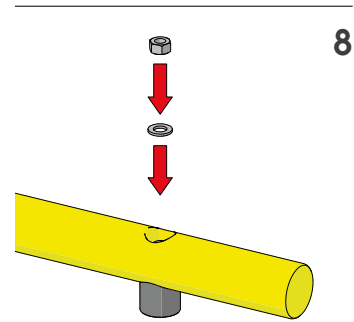
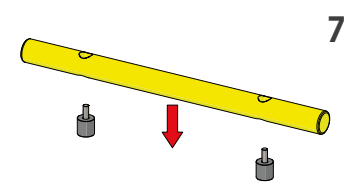
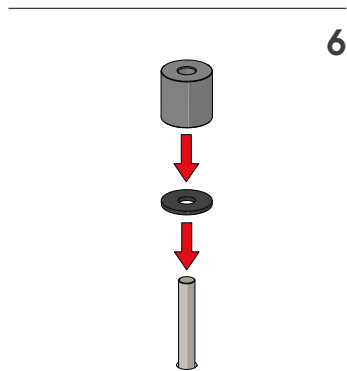
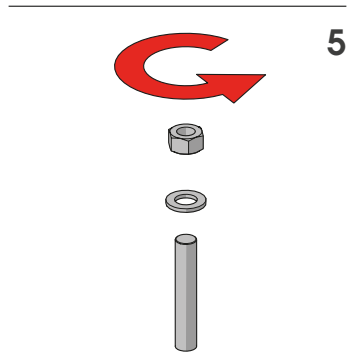
ISTRUZIONI DI INSTALLAZIONE
ASSEMBLY INSTRUCTIONS



RESISTANT TO
LOW TEMPERATURES

M16 GALVANIZED STEEL

WITH EXPANSION SCREW



ROD FLOOR 70

ISTRUZIONI DI INSTALLAZIONE
ASSEMBLY INSTRUCTIONS



SF16 INOX



ANCHOR (FR)



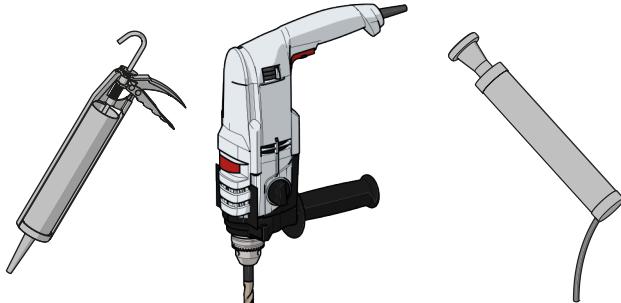
-30°

RESISTANT TO
LOW TEMPERATURES

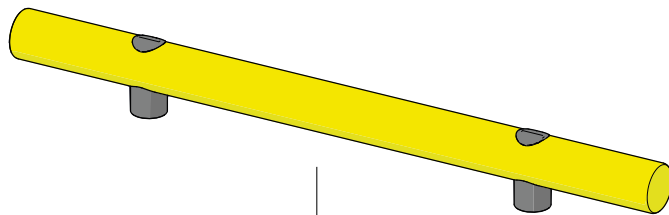
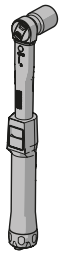
WITH RESIN

CHEMICAL
ANCHOR

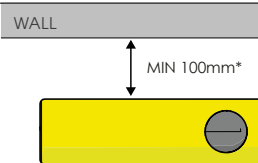
Ø18 mm



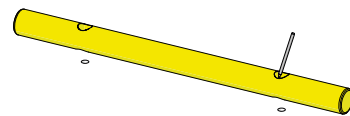
24



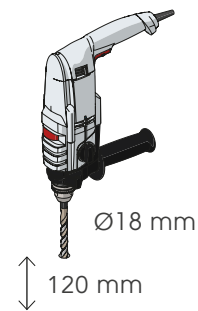
WARNING
The distance of installation depends on speed and weight of vehicle



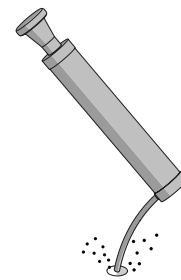
1



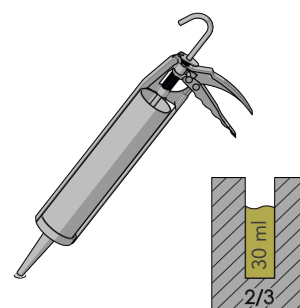
2



3



4



ROD FLOOR 70

ISTRUZIONI DI INSTALLAZIONE
ASSEMBLY INSTRUCTIONS



SF16 INOX



ANCHOR (FR)



-30°

RESISTANT TO
LOW TEMPERATURES

WITH RESIN

