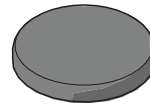
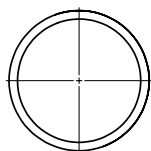
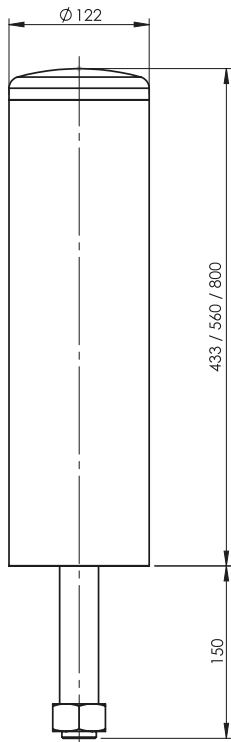


ROD 120

PALO PROTEZIONE
BOLLARD



RESISTANT TO
LOW TEMPERATURES



PCC 120



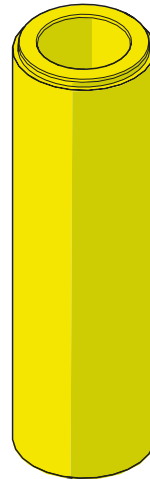
NUT M30



SPRING WASHER M30



WASHER M30



PC 120 433 / 560 / 800



THREADED ROD M30



PVC TUBE



NUT M30

ROD 120

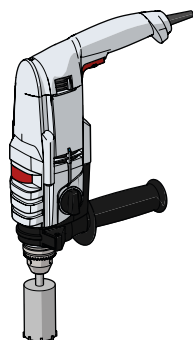
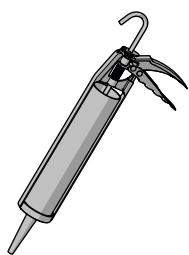
ISTRUZIONI DI INSTALLAZIONE
ASSEMBLY INSTRUCTIONS



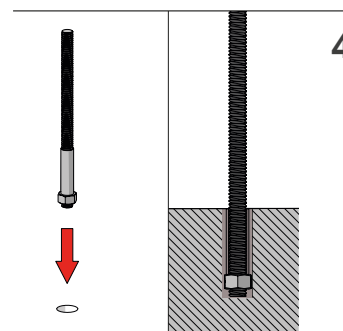
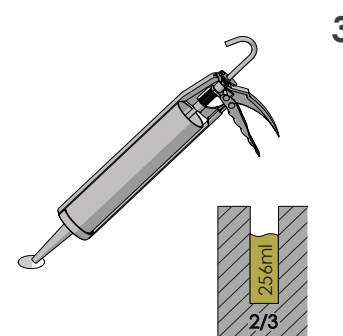
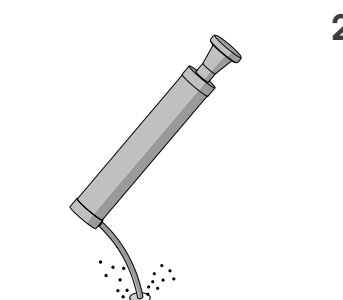
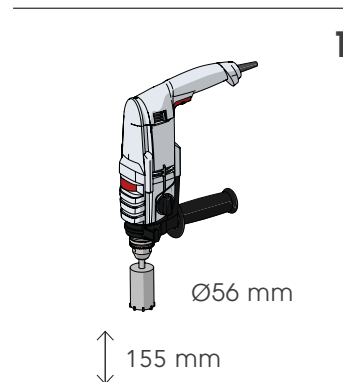
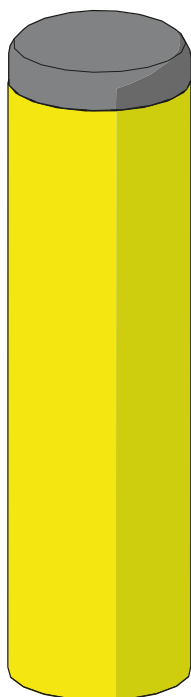
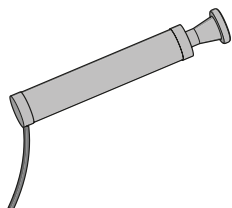
RESISTANT TO
LOW TEMPERATURES

CHEMICAL
ANCHOR

Ø56 mm



46



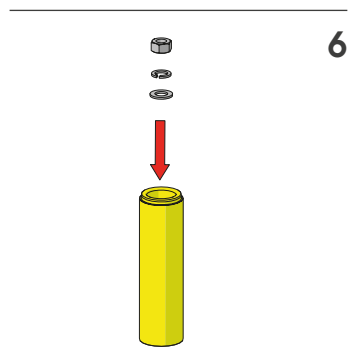
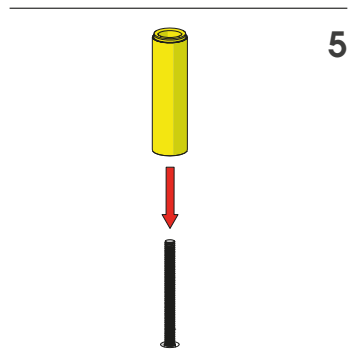
ROD 120

ISTRUZIONI DI INSTALLAZIONE
ASSEMBLY INSTRUCTIONS



RESISTANT TO
LOW TEMPERATURES

ROD REPLACEMENT



T=200Nm

7

