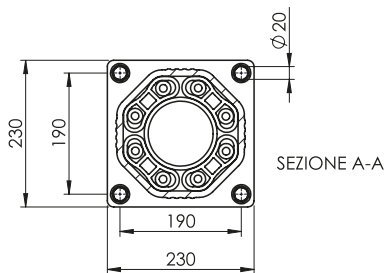
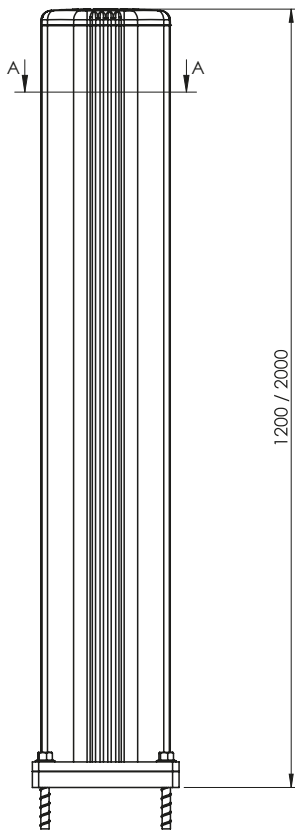


GRD 200

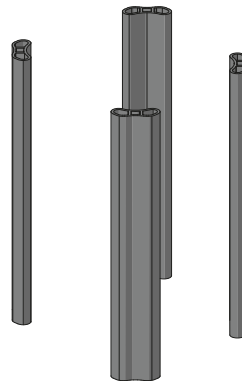
PALO PROTEZIONE
BOLLARD



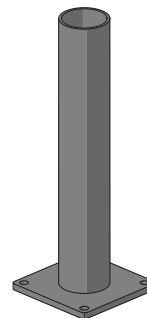
→ GRT 200



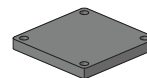
→ GR 200



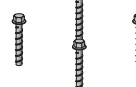
→ BUMPER 200



→ FIX P200



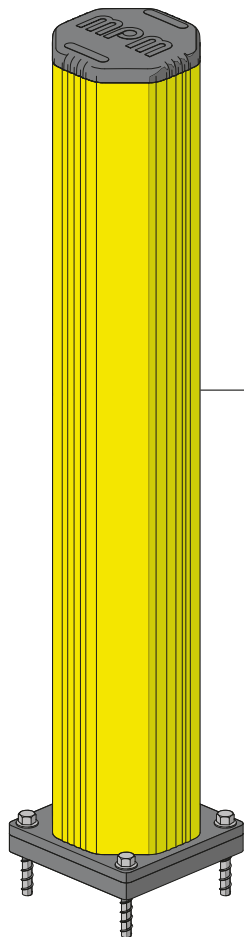
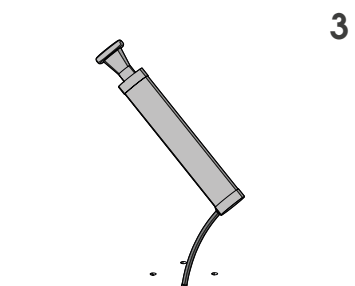
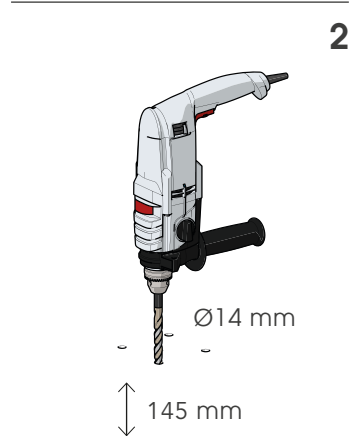
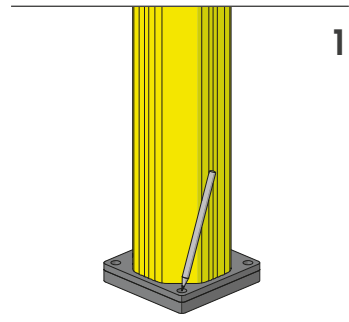
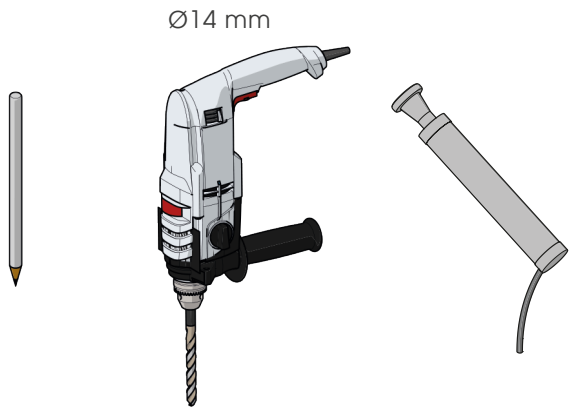
→ SHOCK ABSORBER
PAD 200



→ S16

GRD 200

ISTRUZIONI DI INSTALLAZIONE
ASSEMBLY INSTRUCTIONS



WARNING
The distance of installation depends on speed and weight of vehicle

